

# Disassembly

## Tools Required:

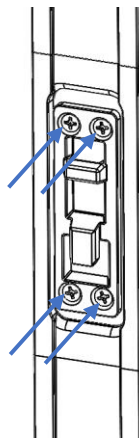
- #2 Phillips Head Screwdriver, 8" length
- 3/8" Wrench
- 3/8" Socket and ratchet

## Part Specification

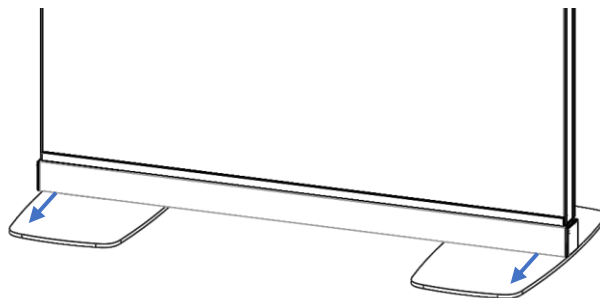
- Screen (MDF, plywood, plastic, fiberglass)
- Upper connectors (Zinc)
- Baseboards (Aluminum)
- Baseboard End Caps (Aluminum)
- Baseplate leveling screw (Steel)
- Baseplate (Steel)
- Baseplate Riser (Zinc)
- Base Connector (Zinc)
- Receptacle Bracket (Aluminum)
- Hardware (Steel)

## Disassembly Steps

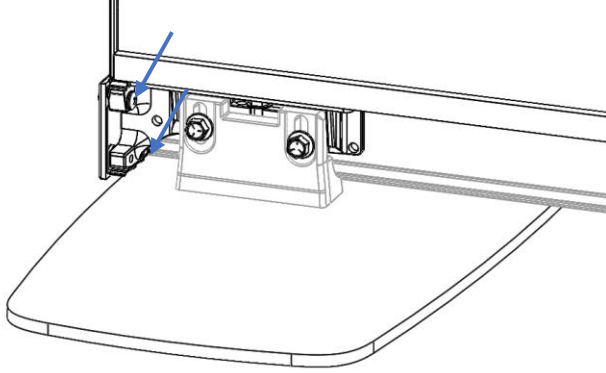
1. Remove each **Upper Connector** by loosening the four phillips head screws



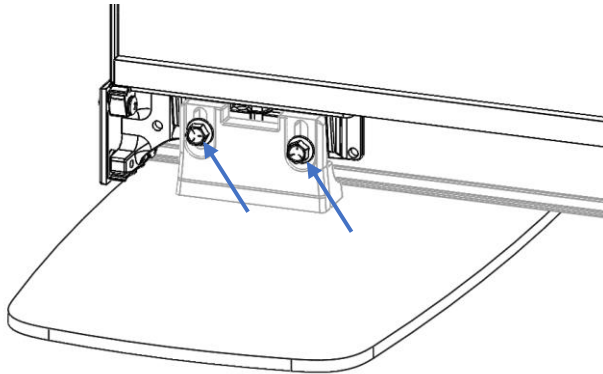
2. Remove **Baseboard** by pulling on the bottom edge near each end and lifting to unhook from the base of the screen



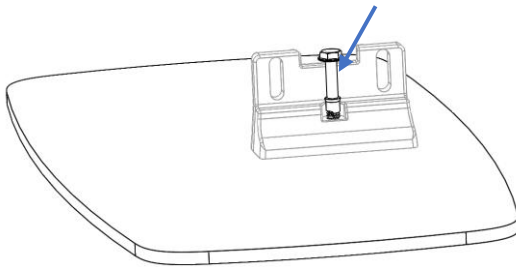
3. Remove each **Baseboard End Cap** by loosening the two phillips head screws, one on each side of the screen.



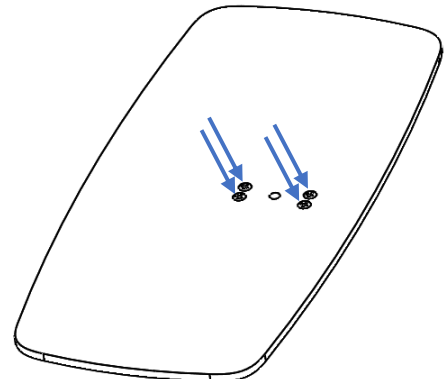
4. With a partner, lift the screen and place flat on a table or saw horses.
5. Remove the two hex bolts securing the left side **Base Plate Assembly** with a 3/8" socket and ratchet. Lift the **Base Plate Assembly** off of the screen. Flip the screen over and remove the other **Base Plate Assembly**.



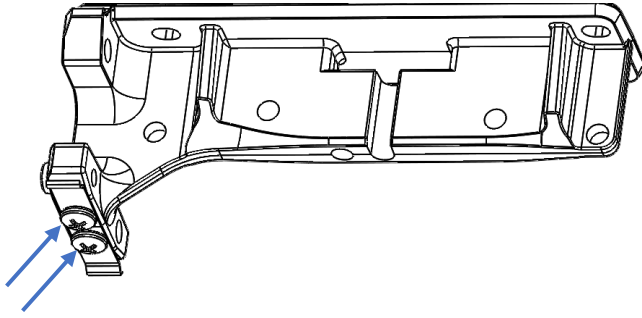
6. Unscrew the **Baseplate Leveling Screw**



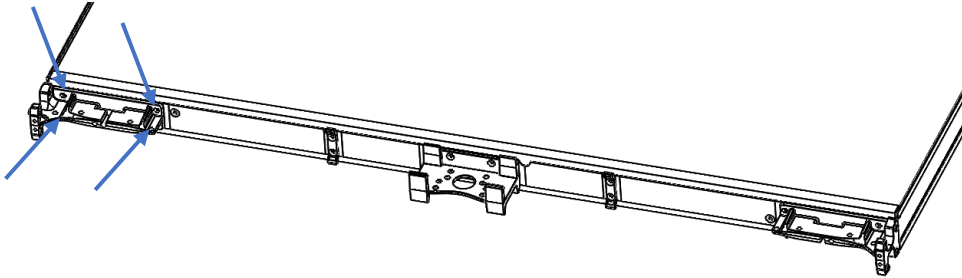
7. Remove the four phillips head screws to separate the **Baseplate Riser** from the **Base Plate**



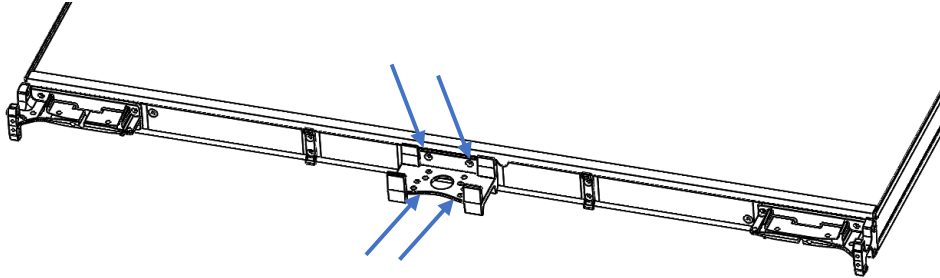
8. Remove the two phillips head screws securing the **Baseboard Spring Clip**



9. Remove the four phillips head screws from each **Base Connector**



10. Remove the four phillips head screws from the **Receptacle Bracket**



11. Remove the two phillips head screws from each **Baseboard Hanger**

